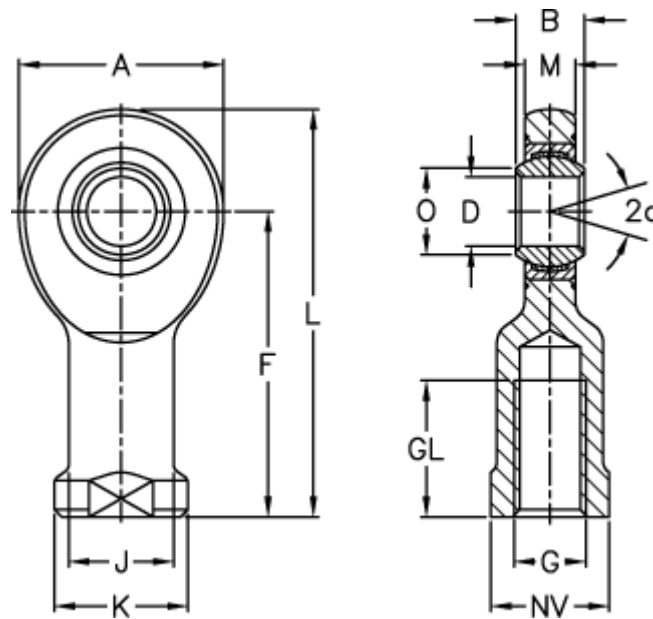


Article number: 03485045

Description: Fluro Rod end EIL 45D-2RS

Note: 45

Measures



| | | | |
|--------------------|---------|-----------------|--------|
| A | = 102 | J | = 58 |
| a (degrees) | = 7 | K | = 70 |
| B | = 32 | L | = 196 |
| D | = 45 | M | = 27 |
| Dynamic drive (kN) | = 240 | NV | = 60 |
| F | = 145 | O | = 50.8 |
| g | = M42x3 | Static drive kN | = 263 |
| GL | = 65 | Weight | = 2500 |